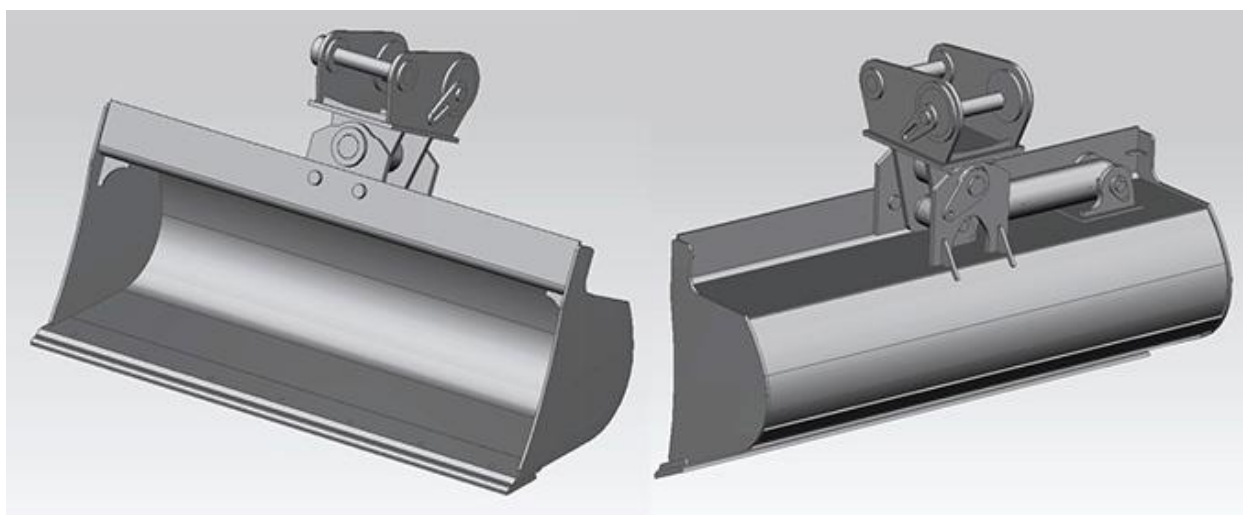


# Best Tilt Bucket for 1-45 Ton Excavators/Backhoes for sale in China

JIANGTU tilt bucket is very suitable for grading and leveling earthwork. It can be tilted 45 degrees in both directions.



Obliquely manipulate this excavator attachment to the precise angle required, so that you are more efficient in handling work, and do not have to constantly reposition your excavator.



## Tilt Bucket for Excavators/Backhoes

Category	Unit	JT-mini	JT-02	JT-04	JT-06	JT-08
Rotation angle			360	360	360	360
Oil pressure	bar	80-120	110-140	120-160	150-170	160-180
Operating flow	lpm	25-40	30-55	50-100	90-110	100-140
Excavator weight	ton	1.5-3	4-6	6-9	12-16	17-23
Weight	kg	120	163	240	730	1260

♥ The Specifications of the tilt bucket are subject to change for improvements.

## Main features of JIANGTU excavator tilt bucket for sale

1. Use material of high hardness: Suitable for different machines of 1-45Ton.
2. High level of welding technology.
3. Use the Q460+Q355 material.
4. All pins are heat-treated, firm and durable.
5. OEM





JIANGTU series tilt bucket for excavator is compatible with the various brand of excavators/backhoes such as DOOSAN, KOMATSU, SANY, HYUNDAI, BOBCAT, VOLVO, KOBELCO, KATO, KUBOTA, JCB, CASE, GEHL, SUNWARD, NEW HOLLAND, XCMG, ZOOMLION, HITACHI, CATERPILLAR, TEREX, TAKEUCHI, LOVOL, YTO, SHANTUI, SUMITOMO, IHISCE, JONGYANG, LIEBHERR, YOUNGMAN, YUCHAI YC, ATLAS, JOHN DEERE, LIUGONG, etc.



As the top leading tilt bucket manufacturer in China, We professionally design and manufactures all kinds of buckets, **Rock Buckets**, tilting bucket, Trench buckets, Skeleton Buckets, Cleaning up Buckets, 4in1 bucket, **grab buckets** and other **excavator attachments**.

Our product fits for 1-45ton excavator with **tilting bucket**, different dimensions, different prices. Our products have been accessed the certifications of SAE, SGS, and ISO9001. Our bucket usually uses the Q345B+NM400/NM500, Hardox400/500 materials, use strengthen plate in the bottom, add side protective plate, wearing strip, wearing block, original or domestic adapter and the tooth to reach high abrasion and bending ability, applying to different working conditions.

[Click here to tell us your excavator mode or the operating weight.](#)



## Questions & Answers for our tilt bucket for excavator/backhoe

**Q: Are you a manufacturer?**

A: Yes, our factory was established in 2011.

**Q: Are you sure your product will fit my excavator?**

A: Yes, we are professional about this, you can also tell me your excavator model, and we will check it for you.

**Q: Can you provide customers' design?**

A: Sure, we can provide OEM and ODM services.

**Q: What're the MOQ and payment terms?**

A: MOQ is 1set. Payment via T/T, L/C, Western Union accepted, other terms can be negotiated.

**Q: How about the delivery time?**

A: 15-30 workdays after the payment, depending on your quantity.

**Q: How about the package?**

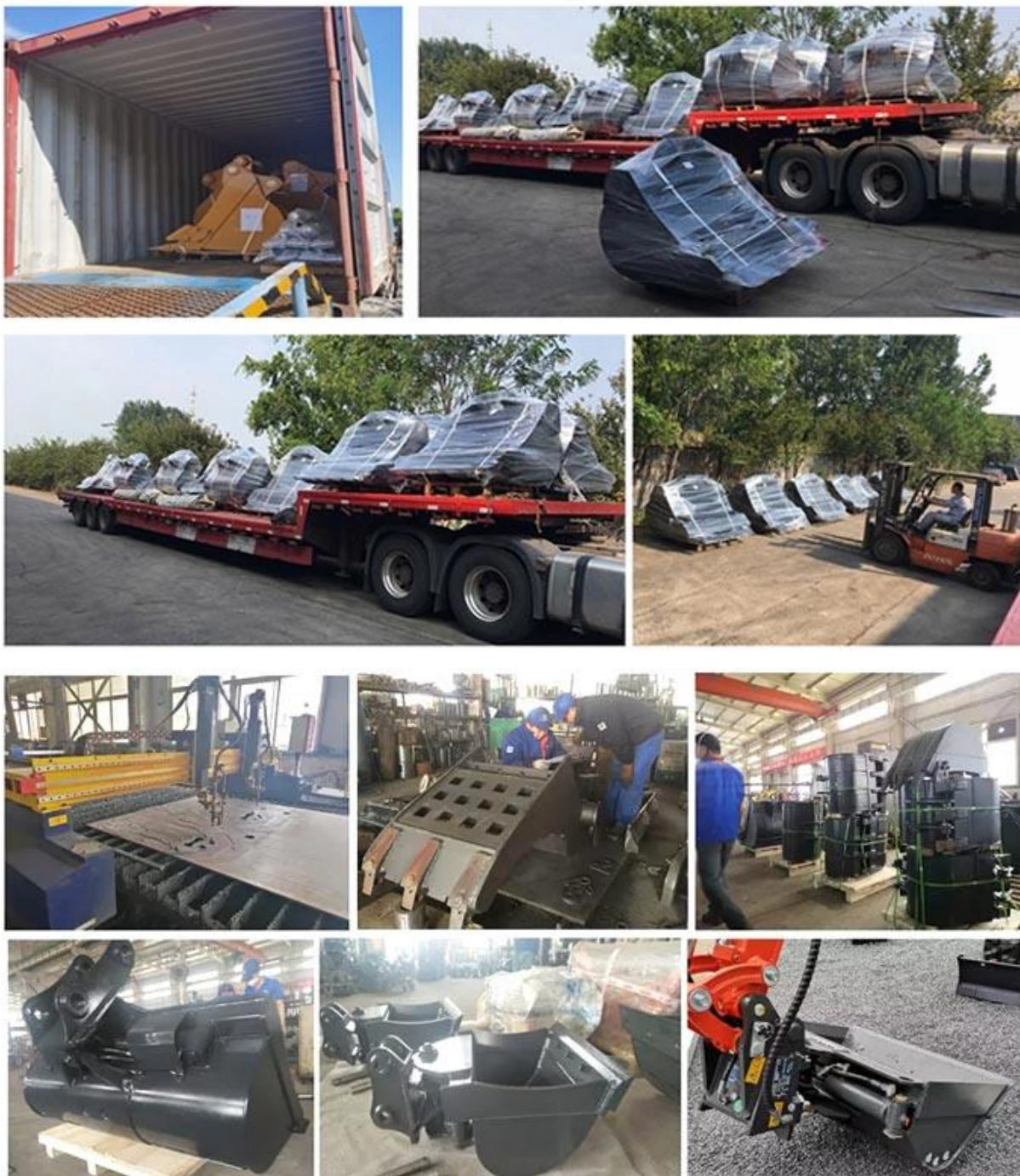
A: Our attachments are packaged by standard export wooden case.

**Q: Which country have you exported to?**

A: Russia, USA, Canada, Japan, Korea, Malaysia, Hong Kong, Taiwan, India, Indonesia, Australia, New Zealand, Israel, South Africa, etc

**JIANGTU excavator tilting bucket, produced by the factory, price concessions, direct shipment from the manufacturer, minimum order of one piece, can be sent worldwide. [click for a quotation.](#)**

**We also sincerely look for dealers from all global markets. Competitive price, policy support. [For more information? please contact us.](#)**



**Yantai Jiangtu Mechanical Equipment Co., Ltd**

**Address:**

No.84 Dawang Rd.,Fushan District, Yantai City, Shandong Province, China

**Tel:**

+86-535-6802678

**E-mail:**

ndwe73992@gmail.com

sales007@jtattach.com