

JIANGTU hydraulic plate compactor

Product Description

Jiangtu hydraulic plate compactor is a kind of excavator attachments which is used to compress some types of soil and gravel for construction projects that require a stable subsurface.

As one of the leading hydraulic plate compactor manufacturer in China, JIANGTU has a full range of compactors for excavator from 1.5-40 ton. They are suitable for all kinds of brands and models of excavators.



APPLICATION

JIANGTU hydraulic plate compactor excavator is used for leveling of high-speed way and railway slopes, roads, construction sites and building floors.

Application





hydraulic plate compactor







FEATURES

JIANGTU Hydraulic Plate Compactor Main Features:

1. Useful for road construction, foundation & backfill;
2. Japan-made NTN swing bearing, PERMCO motor, EVERPADS rubber, Italy-made relief valve;
3. Longer lifetime of rubber pads;

FEATURES



Using PERMCO motor



Japan made NTN bearing



Italy made throttle

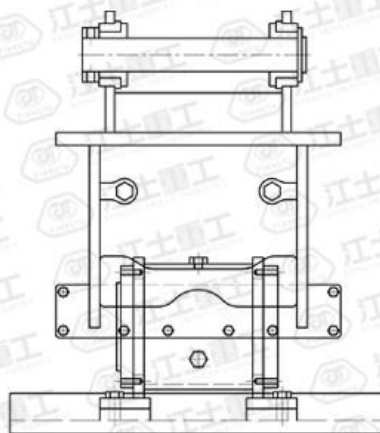
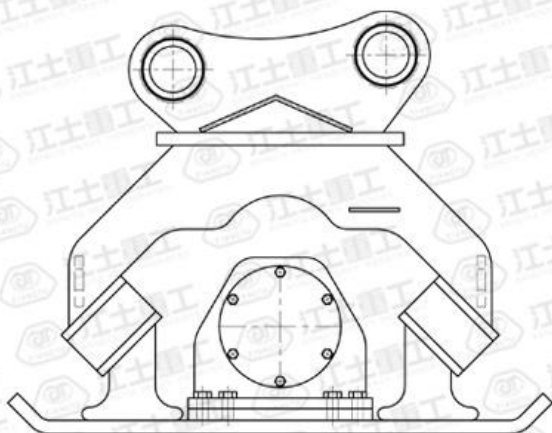


NM400-500 steel bottom plate



Custom service available

Please check the following specifications to choose the right hydraulic plate compactor model.



Hydraulic Plate Compactor

Category	Unit	JT-min i	JT-04	JT-06	JT-08	JT-10
----------	------	-------------	-------	-------	-------	-------

Height	mm	610	750	930	1000	1100
Width	mm	420	550	700	900	900
Impulse force	ton	3	4	6.5	11	15
Vibration frequency	rpm/min	2000	2000	2000	2200	2200
Oil flow	l/min	30-60	45-85	85-105	120-170	120-170
Operating pressure	kg/cm ²	100-130	100-130	100-150	150-200	150-200
Bottom measurement	mm	800*420	900*550	1160*700	1350*900	1500*1000
Excavator weight	ton	1.5-3	4-10	12-16	18-24	30-40
Weight	kg		550-600	750-850	900-1000	1100-1300

♣This specifications are subject to change without prior notice for the improvement of quality.

♣The company has been developed to meet with the high standards of the current market.

♣The demand for high durability and low maintenance costs on hydraulic equipment are combined in the total design of our hydraulic plate compactors.

Tell us the brand and model of your excavator, We are very glad to help you to select a right compactor. (超链)

Product Advantages

Main Advantages of JIANGTU hydraulic plate compactor:

- 1, 12 months warranty, 6 months free replacement;
2. Q345B materials for body, NM400 wear plate for bottom plate;

Gallery



How to choose a high quality quick coupler for your excavator?

1. Check the company's qualification and strength making sure the quality is guaranteed.
2. Check the company's technical team making sure the products are safe enough.
3. What kind of after-sales service do they provide? few faults? easy to operate?
4. Ensure that it matches your excavator well.

Why choose us ?

1. As the leading excavator attachments manufacturer in China, we have 10 years experience in developing and manufacturing excavator attachments.
2. Strong R&D department with 6 professional engineers and more than 40 skilled workers.
3. Strict QC system, ISO9001:2008 and CE certificate.
4. 12 months warranty after receiving the product, 6 months free replacement.
5. The OEM/ODM and customization service is available.

A good attachment , how was it born?



Our Company Information

Yantai Jiangtu Mechanical Equipment Company is a leading manufacturer for excavator attachments in China. All products' quality are strictly under control from processing to delivery. By continuous innovation and improvement, the company has got ISO 9001, CE certifications and technical patents successively. Our products have been sold to widely domestic and oversea customers and long term partnerships have been developed.

Our mission is: Quality first, Service foremost, and Innovation paramount.

Uncompromising commitment to high quality and thoughtful service wins us a good reputation and more coming partners. And we will keep on improving the products to better serve the world market. We are looking forward to working with you!

Company View



Our Certificate

Through 8 years' digging in research and development, Jiangtu Company achieved more than 20 patents such as invent/design patent successively and received CE, ISO and SGS certificates from 2012 to 2019, and now started a new chapter to explore the global market.

Our Certificate



Our Exhibition

Jiangtu Company had attended Bauma China/Russia Exhibitions for 5 consecutive years from 2014 to 2018, where we met many global dealers and end users, who thought highly of our products both in appearance and performance.

Our Exhibition



Our Team

Aiming to deliver practical, easy-to-use and durable excavator attachments for global market, our R&D team size keeps growing. Currently, there are 6 professional engineers with an average researching experience of 4 years to meet customization demands. More than 40 skilled technicians have made it possible to guarantee the lead time and delivery date.

Our Team



Our Service

Our Service

1. We can offer a comprehensive range of excavator attachments such as hydraulic breaker, quick hitch, log grapples, plate compactor, earth drill auger, orange peel grab, demolition grapple, grab bucket, ripper, etc...
2. You may rest assured that all of our products can be supplied in a wide range of designs, and the product can be customized according to your personalized requirements. Meanwhile, we can offer an excellent after-sale service.
3. We will keep your business information confidential.
4. We promise to reply to you upon receipt of your inquiry within 12 hours .
5. The order will be produced exactly according to your detailed requirements and bucket dimensions. Each of attachment will be tested before delivery. Our QC will submit inspection report before shipment.

OEM

Offer your design documents or tell us your ideas and our R&D team will do the rest.

Warranty

JIANGTU Excavator Attachments are guaranteed against failure due to defective design, materials, or workmanship for a period of one year or 2,000 hours. Within first 6 months, we offer free replacement service.

Our Promise

OEM/ODM

Customized service

product customized according to customer' s requirements



After-sale service

24 hours online technical support service is available;

Guarantee

12 months warranty after receiving the product, 6 months free replacement.

5.0/5

Very Satisfied
5 Reviews

Supplier Service

Supplier Service	★★★★★	5.0	Very Satisfied
On-time Shipment	★★★★★	5.0	Very Satisfied
Product Quality	★★★★★	5.0	Very Satisfied



Order No.: 116217

Time Created: 2019-05-12 08:34

Remedy Williams, Canada

On-time Shipment: Very Satisfied (5 stars) Supplier Service: Very Satisfied (5 stars)



excavator attachments

★★★★★

As an equipment operator and business owner I cannot believe the high build quality of these attachments. They are simply the most heavy duty highest quality with no cutting corners I have ever seen. This is the company I want to continue doing business with for all excavator and backhoe attachments. The quality really is first rate and the customer really is foremost. This was my first time working with both an overseas business and Alibaba. I could write a novel as to how well this transaction went and the quality of the products. I am still in shock and can hardly wait to do more business with this company and their products. I will be in future contact and am very very very satisfied. There sales representative Autumn made this transaction seamless and is a credit to the company. I will be looking forward to doing more business on various attachments for heavy equipment sales.

Respectfully Yours
Remedy Williams

Order No.: 91561

Time Created: 2019-02-03 03:20

Rob Campbell, Australia

On-time Shipment: Very Satisfied (5 stars) Supplier Service: Very Satisfied (5 stars)



Excavator Attachments Thumb Bucket Price

★★★★★

Good quality awesome service

Order No.: 91289

Time Created: 2018-12-16 15:01

Jonathan Wilson, United States

On-time Shipment: Very Satisfied (5 stars) Supplier Service: Very Satisfied (5 stars)



Excavator Grapple

★★★★★

excellent manufacturing.

Packaging details

Port: Qingdao, Yantai, Shanghai etc.
Packing Type: Standard export packages.



FAQ

Q: Are you a manufacturer?

A: Yes, our factory was established in 2011.

Q: Are you sure your product will fit my excavator?

A: Yes, we are professional attachments manufacturer, We make attachments according to your excavator bucket dimensions.

Q: Can I customize a product?

A: Sure, we can provide OEM and ODM service.

Q: What's the MOQ and payment terms?

A: MOQ is 1 set. Payment by T/T, L/C, Credit Card and Western Union is acceptable. Other payment method can be negotiated.

Q: How about delivery time?

A: Usually 15 days subject to order quantity.

Q: How about the package?

A: Our attachments are packaged by standard export wooden cases free from fumigation.

Q: Which country have you been exported?

A: Russia, USA, Canada, Japan, Korea, Malaysia, Hong Kong, Taiwan, India, Indonesia, Australia, New Zealand, Israel, South Africa etc.



Best product we recommend



Double Locking Q/C



Plate Compactor



Thumb Bucket



Box Silenced Breaker



Demolition Grapple



Hydraulic Scrap Shear



Wood / Stone Grapple



Fork Lift



Hydraulic Thumb



Hydraulic Grab



Side Breaker



Orange Peel Grapple



Light Log Grab



Earth Drill Auger



Ripper



Hydraulic Crusher



Stick Rake



Manual Quick Coupler



Mechanical Grapple



Pulverizer