

JIANGTU Excavator Ripper

Product Description

Jiangtu excavator ripper is a kind of excavator attachments which is used to dig through any hard terrain that is encountered in your work environment. It digs quickly through rock, shale and permafrost...

As one of the leading excavator ripper manufacturer in China, JIANGTU has a full range of rippers for excavator from 1.5-90 ton. They are suitable for all kinds of brands and models of excavators.



APPLICATION

JIANGTU excavator rippers are specifically designed for ripping open tough, hard packed or frozen ground to allow for easier excavation of the material.

Application



Excavator ripper





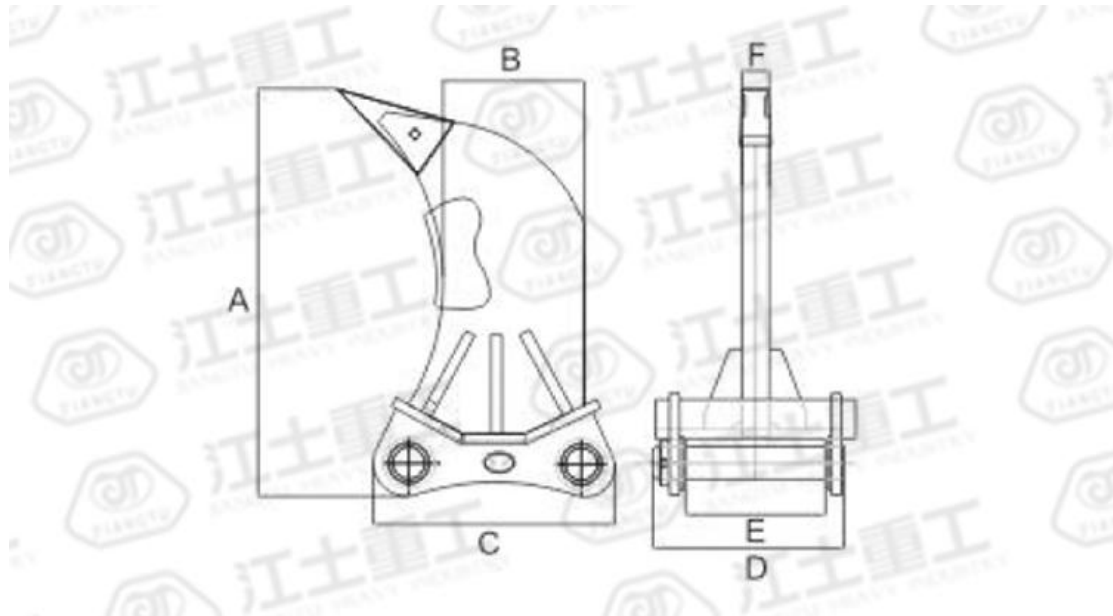
FEATURES

Ripper Main Features:

- 1). Wear resistant steel is used to prolong the durability of the ripper;

- 2). All size of ripper are available depending on the carrier vehicle;
- 3). Custom service is available, single shank and double shanks;
- 4). 12 months warranty;

Please check the following specifications to choose the right excavator ripper model.



Technical Data:

Ripper						
Category	Unit	JT-06	JT-08	JT-10	JT-17	JT-20
A	mm	1150	1200	1450	1550	1650
B	mm	270	400	420	450	580
C	mm	550	665	735	820	980
D	mm	390	510	600	650	760
E	mm	265	335	420	470	580
F	mm	65	90	90	110	110
Excavator weight	ton	12-15	20-25	25-30	30-45	45-90
Weight	kg	300-400	550-650	600-700	700-850	800-1000

- ♣This specifications are subject to change without prior notice for the improvement of quality.
- ♣The company has been developed to meet with the high standards of the current market.
- ♣The demand for high durability and low maintenance costs on hydraulic equipment are combined in the total design of our rippers.

Gallery



[Tell us the brand and model of your excavator, We are very glad to help you to select a right ripper.](#)

How to choose a high quality ripper for your excavator?

1. Check the company's qualification and strength making sure the quality is guaranteed.
2. Check the company's technical team making sure the products are safe enough.
3. What kind of after-sales service do they provide? few faults? easy to operate?
4. Ensure that it matches your excavator well.

Why choose us ?

1. As the leading excavator attachments manufacturer in China, we have 10 years experience in developing and manufacturing excavator attachments.

2. Strong R&D department with 6 professional engineers and more than 40 skilled workers.
3. Strict QC system, ISO9001:2008 and CE certificate.
4. 12 months warranty after receiving the product, 6 months free replacement.
5. The OEM/ODM and customization service is available.

A good attachment , how was it born?



Our Company Information

Yantai Jiangtu Mechanical Equipment Company is a leading manufacturer for excavator attachments in China. All products' quality are strictly under control from processing to delivery. By continuous innovation and improvement, the company has got ISO 9001, CE certifications and technical patents successively. Our products have been sold to widely domestic and oversea customers and long term partnerships have been developed.

Our mission is: Quality first, Service foremost, and Innovation paramount.

Uncompromising commitment to high quality and thoughtful service wins us a good reputation and more coming partners. And we will keep on improving the products to better serve the world market. We are looking forward to working with you!

Company View



Our Certificate



Our Exhibition

Jiangtu Company had attended Bauma China/Russia Exhibitions continuously, where we met many global dealers and end users, who thought highly of our products both in appearance and performance.

Our Exhibition



Our Team

Aiming to deliver practical, easy-to-use and durable excavator attachments for global market, our R&D team size keeps growing. Currently, there are 6 professional engineers with an average researching experience of 4 years to meet customization demands. More than 40 skilled technicians have made it possible to guarantee the lead time and delivery date.

Our Team



Our Service

Our Service

1. We can offer a comprehensive range of excavator attachments such as hydraulic breaker, quick hitch, log grapples, plate compactor, earth drill auger, orange peel grab, demolition grapple, grab bucket, ripper, etc...
2. You may rest assured that all of our products can be supplied in a wide range of designs, and the product can be customized according to your personalized requirements. Meanwhile, we can offer an excellent after-sale service.
3. We will keep your business information confidential.
4. We promise to reply to you upon receipt of your inquiry within 12 hours .
5. The order will be produced exactly according to your detailed requirements and bucket dimensions. Each of attachment will be tested before delivery. Our QC will submit inspection report before shipment.

OEM

Offer your design documents or tell us your ideas and our R&D team will do the rest.

Warranty

JIANGTU Excavator Attachments are guaranteed against failure due to defective design, materials, or workmanship for a period of one year or 2,000 hours. Within first 6 months, we offer free replacement service.

Our Promise

OEM/ODM

Customized service

product customized according to customer' s requirements



After-sale service

24 hours online technical support service is available;

Guarantee

12 months warranty after receiving the product, 6 months free replacement.

Reviews from customers on Alibaba

5.0/5 **Very Satisfied**
5 Reviews

Supplier Service	★★★★★	5.0	Very Satisfied
On-time Shipment	★★★★★	5.0	Very Satisfied
Product Quality	★★★★★	5.0	Very Satisfied

Supplier Service

5 Stars	100%	(5)
4 Stars	0%	(0)
3 Stars	0%	(0)
2 Stars	0%	(0)
1 Stars	0%	(0)

Order No.: 116217 [View Order](#) Time Created: 2019-05-12 08:34

Benjamin Williams, Canada
 On-time Shipment: **Very Satisfied** (5 stars) Supplier Service: **Very Satisfied** (5 stars)



excavator attachments

★★★★★

As an equipment operator and business owner I cannot believe the high build quality of these attachments. They are simply the most heavy duty highest quality with no cutting corners I have ever seen. This is the company I want to continue doing business with for all excavator and backhoe attachments. The quality really is first rate and the customer really is foremost. This was my first time working with both an overseas business and Alibaba. I could write a novel as to how well this transaction went and the quality of the products. I am still in shock and can hardly wait to do more business with this company and their products. I will be in future contact and am very very very satisfied. There sales representative Autumn made this transaction seamless and is a credit to the company. I will be looking forward to doing more business on various attachments for heavy equipment sales.

Respectfully Yours

Ben Williams

Order No.: 91561 [View Order](#) Time Created: 2019-02-03 03:20

Wes Campbell, Australia
 On-time Shipment: **Very Satisfied** (5 stars) Supplier Service: **Very Satisfied** (5 stars)



Excavator Attachments Thumb Bucket Price

★★★★★

Good quality awesome service

Order No.: 91289 [View Order](#) Time Created: 2018-12-16 15:01

Jonathan Wilson, United States
 On-time Shipment: **Very Satisfied** (5 stars) Supplier Service: **Very Satisfied** (5 stars)



Excavator Grapple

★★★★★

excellent manufacturing.

Packaging details

Port: Qingdao, Yantai, Shanghai etc.
Packing Type: Standard export packages.



FAQ

Q: Are you a manufacturer?

A: Yes, our factory was established in 2011.

Q: Are you sure your product will fit my excavator?

A: Yes, we are professional attachments manufacturer, We make attachments according to your excavator bucket dimensions.

Q: Can I customize a product?

A: Sure, we can provide OEM and ODM service.

Q: What's the MOQ and payment terms?

A: MOQ is 1 set. Payment by T/T, L/C, Credit Card and Western Union is acceptable. Other payment method can be negotiated.

Q: How about delivery time?

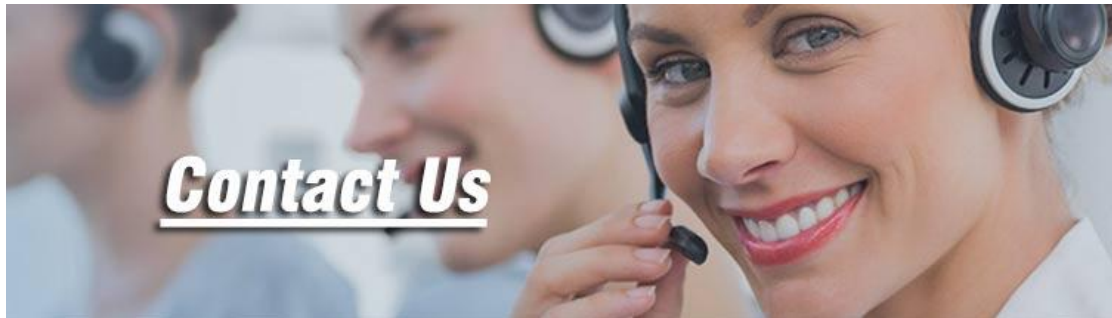
A: Usually 15 days subject to order quantity.

Q: How about the package?

A: Our attachments are packaged by standard export wooden cases free from fumigation.

Q: Which country have you been exported?

A: Russia, USA, Canada, Japan, Korea, Malaysia, Hong Kong, Taiwan, India, Indonesia, Australia, New Zealand, Israel, South Africa etc.



Best product we recommend